

Intel® Desktop Boards D845GLLY and D845GLAD Quick Reference

This guide is written for technically qualified personnel with experience installing and configuring desktop boards.

Before You Begin

| | |
|------------------------------------|---|
| Warning and Caution | 3 |
| Safety and Regulatory Notice | 3 |

| | |
|---------------------------------------|---|
| Desktop Board Components | 4 |
|---------------------------------------|---|

| | |
|-----------------------------------|---|
| Supported Components | 5 |
|-----------------------------------|---|

Installation Steps

| | |
|---------------------------------------|----|
| 1 Installing the I/O Shield | 7 |
| 2 Installing the Desktop Board | 7 |
| 3 Installing the Processor | 8 |
| 4 Installing the Memory Modules | 8 |
| 5 Connecting the Fans | 9 |
| 6 Attaching the IDE Drives | 10 |

| | |
|---|----|
| Using the BIOS Setup Program | 10 |
|---|----|

| | |
|--|----|
| Setting the BIOS Configuration Jumper Block | 11 |
|--|----|

Items on the Intel® Express Installer CD-ROM

- Product warranty
- Intel Express Installer
- *Intel® Desktop Boards D845GLLY and D845GLAD Product Guide*
- Software utilities and drivers
- Software license agreement
- Readme file

Part Number: A84619-003

Getting Help

View or download product support information from Intel's World Wide Web site:

<http://support.intel.com/support/motherboards/desktop/>

Follow the link to your Intel® Desktop Board for the following information:

- Known Issues and Solutions
- Software and Drivers (latest BIOS and driver updates)
- Compatibility (supported Intel® processors and memory information)
- Product Documentation
 - Technical Product Specification
 - Specification Update

If you can't find the information you need on the Web, contact your point of purchase. The Intel World Wide Web site also includes telephone numbers and billing charges, if applicable, for Intel customer support.

INFORMATION IN THIS DOCUMENT IS PROVIDED IN CONNECTION WITH INTEL® PRODUCTS. NO LICENSE, EXPRESS OR IMPLIED, BY ESTOPPEL OR OTHERWISE, TO ANY INTELLECTUAL PROPERTY RIGHTS IS GRANTED BY THIS DOCUMENT. EXCEPT AS PROVIDED IN INTEL'S TERMS AND CONDITIONS OF SALE FOR SUCH PRODUCTS, INTEL ASSUMES NO LIABILITY WHATSOEVER, AND INTEL DISCLAIMS ANY EXPRESS OR IMPLIED WARRANTY, RELATING TO SALE AND/OR USE OF INTEL PRODUCTS INCLUDING LIABILITY OR WARRANTIES RELATING TO FITNESS FOR A PARTICULAR PURPOSE, MERCHANTABILITY, OR INFRINGEMENT OF ANY PATENT, COPYRIGHT OR OTHER INTELLECTUAL PROPERTY RIGHT. INTEL PRODUCTS ARE NOT INTENDED FOR USE IN MEDICAL, LIFE SAVING, OR LIFE SUSTAINING APPLICATIONS. INTEL MAY MAKE CHANGES TO SPECIFICATIONS AND PRODUCT DESCRIPTIONS AT ANY TIME, WITHOUT NOTICE.

The Desktop Boards D845GLLY and D845GLAD may contain design defects or errors known as errata which may cause the product to deviate from published specifications. Current characterized errata are available on request.

Contact your local Intel sales office or your distributor to obtain the latest specifications and before placing your product order.

Copies of documents which have an ordering number and are referenced in this document, or other Intel literature, may be obtained from Intel Corporation by going to the World Wide Web site at: <http://www.intel.com> or by calling 1-800-548-4725.

Intel and Pentium are registered trademarks of Intel Corporation or its subsidiaries in the United States and other countries.

† Other names and brands may be claimed as the property of others.

Copyright © 2002, Intel Corporation

Before You Begin

Warning and Caution



WARNING

Disconnect the desktop board's power supply from its AC power source before you connect or disconnect cables, or install or remove any board components. Failure to do this can result in personal injury or equipment damage. Some circuitry on the desktop board can continue to operate even though the front panel power switch is off.



CAUTION

Electrostatic discharge (ESD) can damage desktop board components. Install the board at an ESD-controlled workstation. If such a workstation is not available, wear an antistatic wrist strap or touch the surface of the antistatic package before handling the board.



CAUTION

Many of the midboard and front panel connectors provide operating voltage (+5 V DC and +12 V DC, for example) to devices inside the computer chassis, such as fans and internal peripherals. These connectors are not overcurrent protected. Do not use these connectors for powering devices external to the computer chassis. A fault in the load presented by the external devices could cause damage to the computer, the interconnecting cables, and the external devices themselves.

Safety and Regulatory Notice

See the *Intel Desktop Boards D845GLLY and D845GLAD Product Guide* for all applicable regulatory compliance statements, product certification markings, and safety and electromagnetic compatibility (EMC) standards and regulations these desktop boards are compliant with.

Replacement battery warning label provided: Place the label inside the chassis in an easy-to-see location near the battery but not on the board itself.

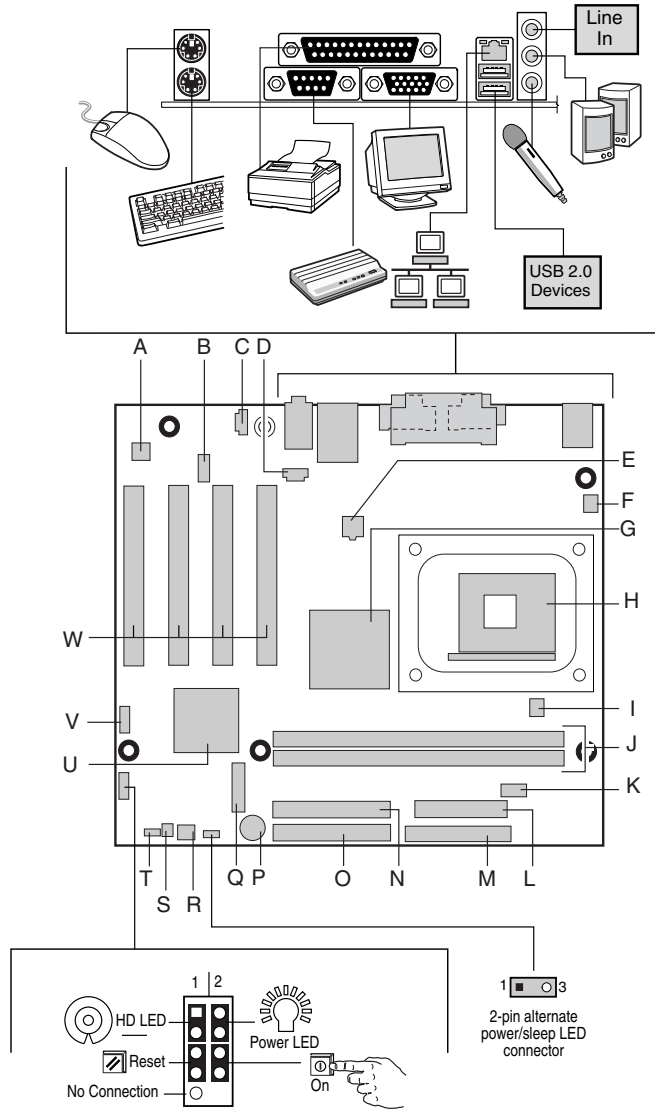
Intended uses: This product was evaluated as information technology equipment (ITE) for home or office use when installed into an appropriate computer chassis. Other end uses or locations may require further evaluation.



NOTE

Desktop Board D845GLAD layout was used in all illustrations unless otherwise noted.

Desktop Board Components



OM14565

continued

Desktop Board Components (continued)

| | | | |
|---|--|---|--|
| A | Sigmatel STAC9750 audio codec | M | Diskette drive connector |
| B | Front panel audio connector (optional) | N | Secondary IDE connector |
| C | Auxiliary line-in connector (ATAPI) | O | Primary IDE connector |
| D | CD-ROM connector (ATAPI) | P | Speaker |
| E | 12 V processor core voltage connector | Q | Battery |
| F | Rear chassis fan connector | R | Front chassis fan connector |
| G | Intel® 82845GL Graphics Memory Controller Hub (GMCH) | S | Chassis intrusion connector |
| H | Processor socket | T | BIOS configuration jumper |
| I | Processor fan connector | U | Intel® 82801DB I/O Controller Hub (ICH4) |
| J | DIMM sockets | V | Front panel USB 2.0 connector |
| K | Serial port B connector | W | PCI bus add-in card connectors |
| L | Power connector | | |



CAUTION

Failure to use an ATX12V or SFX-12V power supply, or not connecting the additional power supply lead to the Desktop Board D845GLLY or D845GLAD may result in damage to the desktop board and/or power supply.

For more information on the ATX12V and SFX -12V power supply, refer to the Intel Desktop Boards D845GLLY and D845GLAD Product Guide on the Intel Express Installer CD-ROM.

Supported Components

Processors

The Desktop Boards D845GLLY and D845GLAD supports the following processors:

| Type | Designation | Front Side Bus Frequency | L2 Cache |
|--|---|--------------------------|----------|
| Intel® Pentium® 4 processor on .13 micron process in an mPGA-478 package | 2.20, 2A, 1.80A, and 1.60A GHz | 400 MHz | 512 KB |
| Intel Pentium 4 processor on .18 micron process in an mPGA-478 package | 2, 1.90, 1.80, 1.70, 1.60, and 1.50 GHz | 400 MHz | 256 KB |

For the latest information on processors supported by the Desktop Boards D845GLLY and D845GLAD, refer to the Intel World Wide Web site at:

<http://support.intel.com/support/motherboards/desktop>

Memory Module Requirements

The Desktop Board D845GLLY supports system memory as defined below:

- Up to two 168-pin PC133 SDRAM Dual Inline Memory Modules (DIMMs) with gold-plated contacts
- 3.3 V memory
- Memory configurations up to 2.0 GB using 512 Mbit technology

The Desktop Board D845GLAD supports system memory as defined below:

- Up to two 184-pin Double Data Rate (DDR) 200/266 SDRAM DIMMs with gold-plated contacts
- 2.5 V memory only
- Memory configurations up to 2.0 GB using 512 Mbit technology

Both desktop boards support Serial Presence Detect (SPD), suspend to RAM (STR), and unbuffered, non-ECC RAM (registered memory is not supported).



NOTES

The Desktop Boards D845GLLY and D845GLAD have been designed to support DIMMs based on 512 Mbit technology up to 2 GB, but this technology has not been validated on these boards.

All memory components and DIMMs used with the desktop boards must comply with the PC SDRAM specifications. These include the PC SDRAM Specification (memory component specific), the PC Unbuffered DIMM Specification. To view or download these specifications, refer to this Intel World Wide Web site:

<http://www.intel.com/technology/memory/pcsdram/>

For information about vendors that support these memory requirements, refer to the Desktop Boards D845GLLY and D845GLAD link on this Intel World Wide Web site:

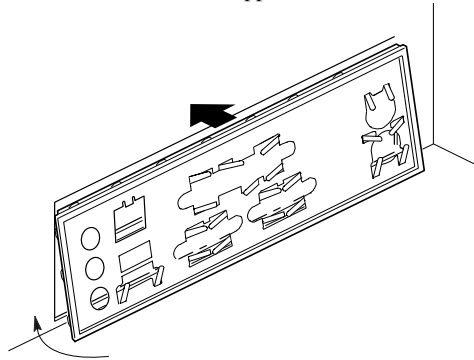
<http://support.intel.com/support/motherboards/desktop/>

Installation Steps

1 Installing the I/O Shield

The desktop board comes with an I/O shield. When installed in the chassis, the shield blocks radio frequency transmissions, necessary to pass emissions (EMI) certification testing, protects internal components from dust and foreign objects, and promotes correct airflow within the chassis.

Install the I/O shield before installing the desktop board in the chassis. Place the shield inside the chassis as shown in the following figure. Press the shield into place so that it fits tightly and securely. If the shield doesn't fit, obtain a properly-sized shield from the chassis supplier.



OM13621

2 Installing the Desktop Board



CAUTION

Failure to use an ATX12V or SFX-12V power supply, or not connecting the additional power supply lead to the Desktop Boards D845GLLY and D845GLAD may result in damage to the desktop board and/or power supply.

For more information on the ATX12V and SFX-12V power supply, refer to the Intel Desktop Boards D845GLLY and D845GLAD Product Guide on the Intel Express Installer CD-ROM.

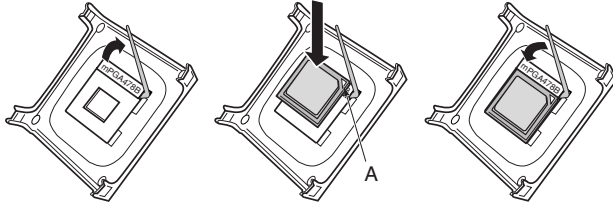
Refer to your chassis manual for specific instructions on installing and removing the desktop board. Secure the desktop board to the chassis standoffs using the screws.

The Desktop Boards D845GLLY and D845GLAD are secured to the chassis with six screws. Refer to the illustration on page 4 for the location of the mounting holes.

3 Installing the Processor

To install the processor, follow these steps:

1. Observe the precautions in “Before You Begin” on page 3.
2. Lift the processor socket lever.
3. Install the processor so that the corner with the triangle marking (A) is aligned with the corner where the lever is attached to the socket.
4. Lower the lever back to its original position.



GM12078

5. The desktop boards come with an integrated processor heat sink retention mechanism (RM). For instructions on how to install the processor fan heat sink, refer to the boxed processor manual or the Intel customer support World Wide Web site:

<http://support.intel.com/support/processors/pentium4/intnotes478.htm>

4 Installing the Memory Modules



CAUTION

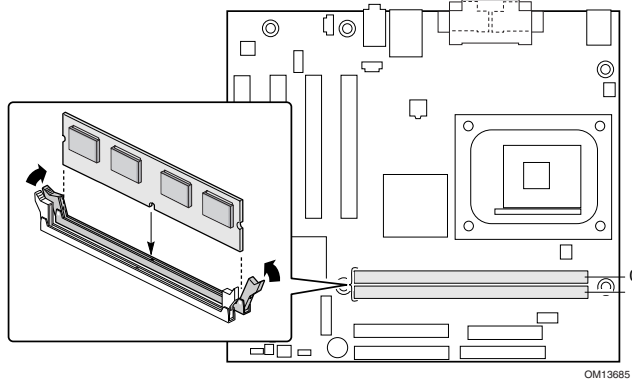
Install memory in the DIMM sockets prior to installing a video card in PCI slot 1 to avoid interference with the memory retention mechanism.

The two DIMM sockets on Desktop Boards D845GLLY and D845GLAD are arranged as Banks 0 and 1, as shown in the figure below. If installing a single DIMM, install it in Bank 0.

To install DIMMs, follow these steps:

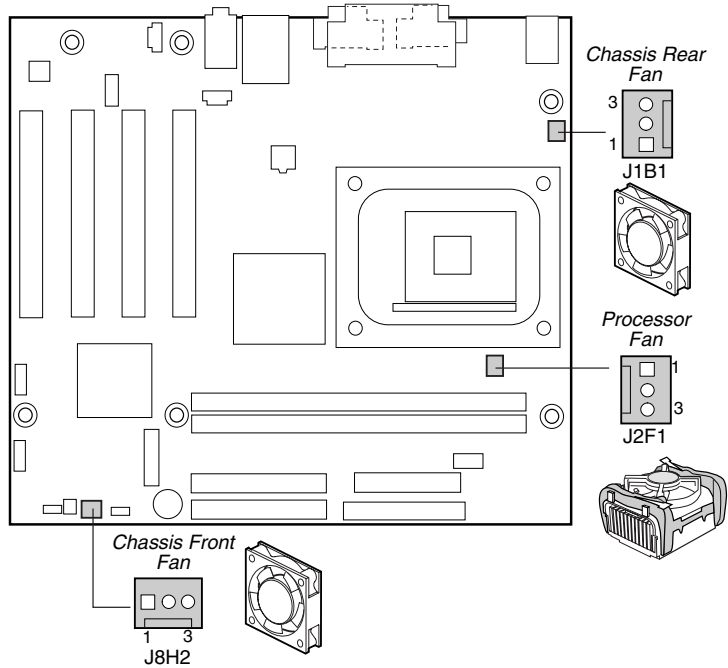
1. Observe the precautions in “Before You Begin” on page 3.
2. Remove the PCI card from PCI slot 1 if it interferes with the DIMM clips from being easily opened and closed.
3. Align the small notch in the bottom edge of the DIMM with the key in the socket.
4. When the DIMM is inserted, push down on the top edge of the DIMM until the retaining clips snap into place. Make sure the clips are firmly in place.

The figure below shows how to install DDR SDRAM DIMMs.



5 Connecting the Fans

The following figure shows the location of the fan connectors. Connect the processor's fan heat sink cable to the processor fan connector on the board. Connect the chassis fan cables to the board connectors as shown in the following figure.

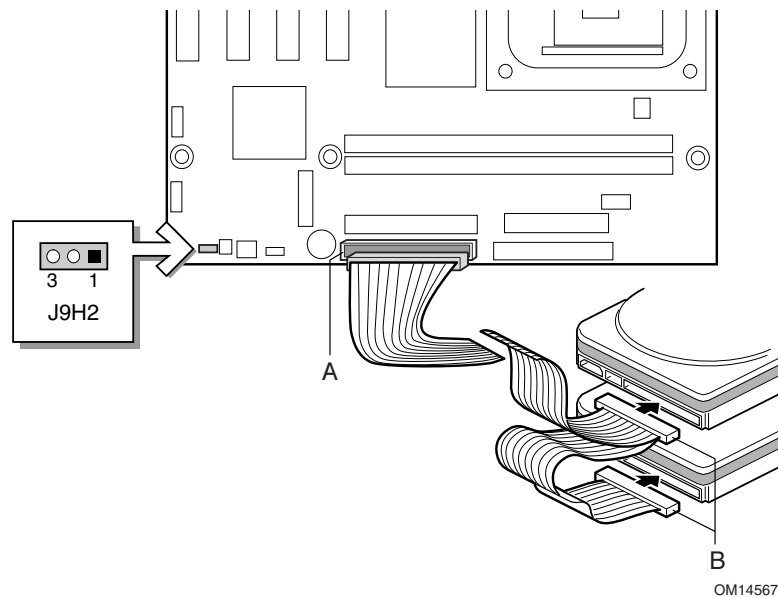


6 Attaching the IDE Drives

The Intel® boxed desktop board package includes an IDE cable. The cable can connect two drives to the desktop board. The cable supports the ATA-66/100 (40-contact, 80-conductor) transfer protocol and is backward compatible with drives using slower IDE transfer protocols.

The cable will work correctly only when oriented as shown in the following figure. For correct cable function:

1. Observe the precautions in “Before You Begin” on page 3.
2. Attach the cable end with the single connector (A) to the desktop board.
3. Attach the cable end with the two closely spaced connectors (B) to the drives.



Using the BIOS Setup Program

The BIOS Setup program can be used to view and change the BIOS settings for the computer. The BIOS Setup program is accessed by pressing the <F2> key after the Power-On Self-Test (POST) memory test begins and before the operating system boot begins.

Setting the BIOS Configuration Jumper Block



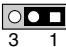
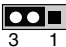
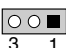
CAUTION

Always turn off the power and unplug the power cord from the computer before changing the jumper block settings. Moving the jumper with the power on may result in unreliable computer operation.

The BIOS configuration jumper block determines the operating mode of the BIOS Setup Program and enables BIOS recovery in the event of a failed BIOS update (see the previous illustration for the location of the jumper block).

The following table describes the jumper block settings for the BIOS Setup configuration jumper.

BIOS Setup Configuration Jumper Block (J9H2) Settings

| Jumper Setting | Mode | Description |
|---|-------------------------|---|
|  | Normal (default) 1-2 | The BIOS uses the current configuration and passwords for booting. |
|  | Configure 2-3 | After the Power-On Self-Test (POST) runs, the BIOS displays the Maintenance Menu. Use this menu to clear passwords. |
|  | Recovery None | The BIOS recovers data from a recovery diskette in the event of a failed BIOS update.* |

*To update or recover the BIOS, see the instructions in the Intel Desktop Boards D845GLLY and D845GLAD Product Guide on the Intel Express Installer CD-ROM.

For a complete list of BIOS Setup settings, see:

- The *Intel Desktop Boards D845GLLY and D845GLAD Product Guide* on the Intel Express Installer CD-ROM
- The Intel World Wide Web Site at <http://support.intel.com/support/motherboards/desktop/>

Intel® 桌面主板

D845GLLY 和 D845GLAD

快速参考指南

本指南仅供具备安装和配置桌面主板经验的合格技术人员使用。

开始之前

| | |
|---------------|---|
| 警告与注意事项 | 3 |
| 安全和规范通告 | 3 |

| | |
|--------------|---|
| 桌面主板元件 | 4 |
|--------------|---|

| | |
|-------------|---|
| 支持的元件 | 5 |
|-------------|---|

安装步骤

| | |
|--------------------|----|
| 1 安装 I/O 防护板 | 6 |
| 2 安装桌面主板 | 7 |
| 3 安装处理器 | 7 |
| 4 安装内存模块 | 8 |
| 5 连接风扇 | 9 |
| 6 安装 IDE 驱动器 | 10 |

| | |
|---------------------------|----|
| 使用 BIOS Setup（设置）程序 | 10 |
|---------------------------|----|

| | |
|---------------------|----|
| 设置 BIOS 配置跳线块 | 11 |
|---------------------|----|

Intel® Express Installer（Intel 快速安装程序）光盘上提供的项目

- 产品保修书
- Intel 快速安装程序
- Intel® 桌面主板 D845GLLY 和 D845GLAD 产品指南
- 软件实用程序和驱动程序
- 软件许可证协议
- 自述文件

获取帮助

您可从以下 Intel 万维网站点查看或下载产品的支持信息：

<http://support.intel.com/support/motherboards/desktop/>

请通过链接进入您所使用的 Intel 桌面母板的网页，以获取以下信息：

- 已知问题及解决方法
- 软件和驱动程序（最新 BIOS 和驱动程序更新）
- 兼容性（关于所支持的 Intel® 处理器和内存的信息）
- 产品文档
 - 产品技术规格
 - 产品规格更新

如果在万维网上找不到需要的信息，请与您的经销商联系。Intel 万维网站点上还列出了 Intel 客户支持的电话号码及收费标准（若需收费）。

本文档提供有关 INTEL® 产品的信息。本文档并未授予任何知识产权的许可，并未以明示或暗示，或以禁止反言或其它方式授予任何知识产权许可。除 INTEL 在其产品的销售条款和条件中声明的责任之外，INTEL 概不承担任何其它责任。并且，INTEL 公司对 INTEL 产品的销售和 / 或使用不作任何明示或暗示的担保，包括对产品的特定用途适用性、适销性或对任何专利权、版权或其它知识产权的侵权责任等，均不作担保。INTEL 产品并非设计用于医疗、救生或维生等用途。INTEL 可能随时对产品规格及产品描述作出修改，恕不另行通知。

D845GLLY 和 D845GLAD 桌面主板可能包含某些设计缺陷或错误，一经发现将收入勘误表，并因此可能导致产品与已出版的规格有所差异。如客户索取，可提供最新的勘误表。

在订购产品之前，请您与当地的 Intel 销售处或分销商联系，以获取最新的规格说明。

本文档中提及的含有订购号的文档以及其它 Intel 文献，可通过访问 Intel Corporation 的万维网站点获得。网址是：<http://www.intel.com> 或致电 1-800-548-4725 索取。

Intel 和 Pentium 是 Intel Corporation 或其子公司在美国及其它国家的注册商标。

† 其它名称和品牌分别为其相应所有者的财产。

Copyright © 2002, Intel Corporation

开始之前

警告与注意事项



警告

在连接或断开电缆、安装或拆卸任何主板元件之前，请将母板的交流电源切断。否则，可能会导致人身伤害或损坏设备。即使在关闭前面板电源开关以后，桌面主板上的某些电路仍可能继续带电。



注意

静电放电 (ESD) 能损坏桌面主板的元件。请在控制 ESD 的工作台上安装主板。如果没有防静电工作台可用，请在接触主板之前佩戴防静电腕带或触摸防静电包的表面。



注意

许多中间板和前面板连接器为计算机机箱内的设备（如风扇和内部的外围设备）提供工作电压，例如直流 +5 V 和直流 +12 V 电压。这些连接器不具备过载保护功能。请不要使用这些连接器为计算机机箱外的设备提供电源。由外部设备产生的负载故障可能会损坏计算机、互连电缆和外部设备自身。

安全和规范通告

有关此产品符合的所有标准及规范的声明、产品认证标志、安全与电磁兼容性 (EMC) 标准以及所符合的各种规范及规章等详情，请参阅《Intel 桌面主板 D845GLLY 和 D845GLAD 产品指南》。

提供的更换电池警告标签：请将此标签贴在机箱内靠近电池且显眼的位置，注意不要贴在母板上。

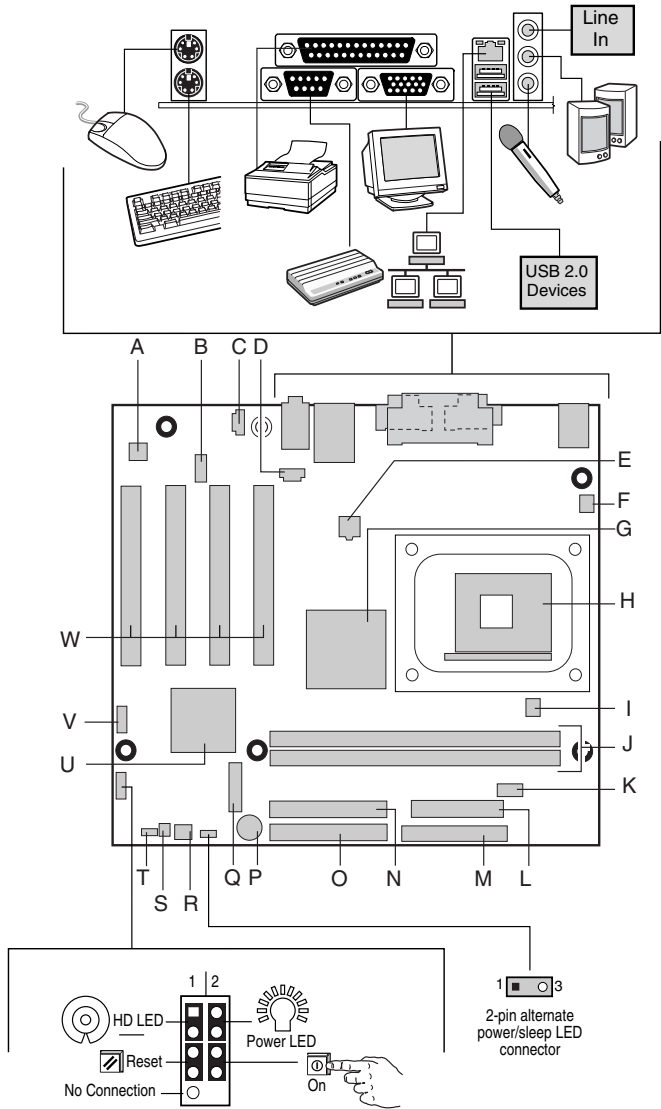
设计应用领域：此产品经过评估测试，认定为信息技术设备 (ITE)，可安装于家用和商用个人计算机机箱中。此产品在其它应用领域或应用环境的适用性，有待进一步鉴定。



注释

本手册的所有图示均为 D845GLAD 母板的布局，另行注明者除外。

桌面主板元件



OM14565

待续

桌面主板元件（续）

| | |
|-----------------------------------|-----------------------------------|
| A Sigmatel STAC9750 音频编解码器 | M 软盘驱动器连接器 |
| B 前面板音频连接器（可选） | N 次 IDE 连接器 |
| C 辅助线路输入连接器 (ATAPI) | O 主 IDE 连接器 |
| D CD-ROM 连接器 (ATAPI) | P 扬声器 |
| E 12 V 处理器内核电压连接器 | Q 电池 |
| F 机箱背面风扇连接器 | R 机箱前面风扇连接器 |
| G Intel® 82845GL 图形内存控制器枢纽 (GMCH) | S 机箱开启连接器 |
| H 处理器插座 | T BIOS 配置跳线 |
| I 处理器风扇连接器 | U Intel® 82801DB I/O 控制器枢纽 (ICH4) |
| J DIMM 插座 | V 前面板 USB 2.0 连接器 |
| K 串行端口 B 连接器 | W PCI 总线附加卡连接器 |
| L 电源连接器 | |



注意

若未使用 ATX12V 或 SFX-12V 电源系统，或未为 D845GLLY 或 D845GLAD 桌面主板连接附加电源系统引线，可能会对桌面主板和 / 或电源系统造成损害。

有关 ATX12V 和 SFX-12V 电源系统的详情，请参阅 Intel Express Installer（Intel 快速安装程序）光盘上的《Intel 桌面主板 D845GLLY 和 D845GLAD 产品指南》。

支持的元件

处理器

本主板支持下列处理器：

| 类型 | 频率标志 | 前端总线频率 | 二级高速缓存 |
|--|--------------------------------------|---------|--------|
| Intel® Pentium® 4 处理器，采用 .13 微米工艺及 mPGA-478 封装 | 2.20, 2A, 1.80A 和 1.60A GHz | 400 MHz | 512 KB |
| Intel Pentium 4 处理器，采用 .18 微米工艺及 mPGA-478 封装 | 2, 1.90, 1.80, 1.70, 1.60 和 1.50 GHz | 400 MHz | 256 KB |

有关 D845GLLY 和 D845GLAD 桌面主板所支持处理器的最新信息，请访问以下 Intel 万维网站点：

<http://support.intel.com/support/motherboards/desktop>

内存模块要求

D845GLLY 桌面主板支持如下定义的系统内存：

- 最多支持安装两个带有镀金触点的 168 针 PC133 SDRAM 双列直插式内存模块 (DIMM)
- 3.3 V 内存
- 采用 512 Mbit 内存模块最多可支持配置 2.0 GB 的内存容量

D845GLAD 桌面主板支持如下定义的系统内存：

- 最多支持安装两个带有镀金触点的 184 针双数据传输速率 (DDR) 200/266 SDRAM 双列直插式内存模块 (DIMM)
- 仅支持 2.5 V 内存
- 采用 512 Mbit 内存模块最多可支持配置 2.0 GB 的内存容量

两种型号的主板都支持安装串行设备检测 (SPD)、挂起到 RAM (STR) 和无缓冲、非 ECC (错误校正) 内存模块 (不支持寄存式内存)。



注释

根据 D845GLLY 和 D845GLAD 桌面主板的设计，可支持安装 512 Mbit 的 DIMM 内存模块，最高内存容量可达 2 GB，但此技术在这些主板上的应用尚未得到验证。

本桌面主板使用的所有内存元件和 DIMM 内存模块必须符合 PC SDRAM 规格。包括 PC SDRAM 规格 (内存元件规格) 和 PC 无缓冲 DIMM 规格。欲查看或下载这些规格，请访问以下 Intel 万维网站点：

<http://www.intel.com/technology/memory/pcsdram/>

有关支持这些内存要求的产品供应商的详情，请访问以下 Intel 万维网站点中的 D845GLLY 和 D845GLAD 链接：

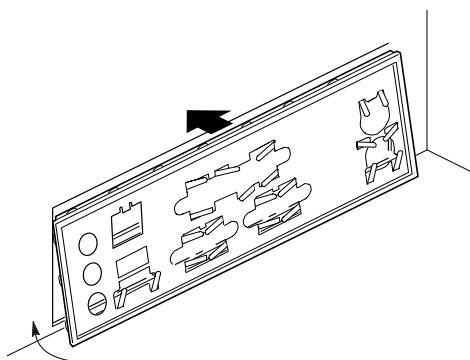
<http://support.intel.com/support/motherboards/desktop/>

安装步骤

1 安装 I/O 防护板

随本主板提供了一块 I/O 防护板。在机箱中安装此防护板后，可阻挡无线电射频向外传播，这是产品获得电磁干扰 (EMI) 合格认证的必要条件。同时此防护板保护内部元件免受灰尘及异物侵害，并可促进空气在机箱内正确流通。

在机箱中安装主板之前，应先安装 I/O 防护板。如下图所示，将防护板放入机箱中。沿箭头所指方向推压防护板，使其紧固到位。如果防护板不适合机箱的尺寸，请从机箱供应商处获取尺寸合适的防护板。



OM13621

2 安装桌面主板



注意

若未使用 ATX12V 或 SFX-12V 电源系统，或未为 D845GLLY 或 D845GLAD 桌面主板连接附加电源系统引线，可能会对桌面主板和 / 或电源系统造成损害。

有关 ATX12V 和 SFX-12V 电源系统的详情，请参阅 Intel Express Installer (Intel 快速安装程序) 光盘上的《Intel 桌面主板 D845GLLY 和 D845GLAD 产品指南》。

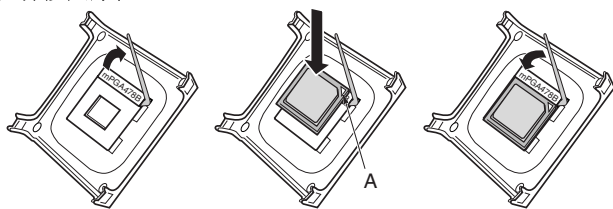
有关安装和拆卸主板的具体说明，请参阅机箱手册。使用螺丝将主板固定在机箱的支撑立柱上。

桌面主板 D845GLLY 和 D845GLAD 各需使用 6 颗螺母固定到机箱内。有关安装孔位置的信息，请参阅第 4 页的 motherboard 图示。

3 安装处理器

要安装处理器，请按下列步骤操作：

1. 请遵守“开始之前”中的注意事项（参阅第 3 页）。
2. 将处理器插座的拉杆完全抬起。
3. 让处理器上有三角标志的一角 (A) 与插座上连接拉杆的一角对齐，将处理器插入插座中。
4. 将拉杆按回原位。



OM12078

5. 随本桌面主板提供了一个集成的处理器散热器固定架 (RM)。有关安装处理器风扇散热器的说明, 请参阅产品包装盒中附送的处理器手册, 或访问以下 Intel 客户支持万维网站点:

<http://support.intel.com/support/processors/pentium4/intnotes478.htm>

4 安装内存模块



注意

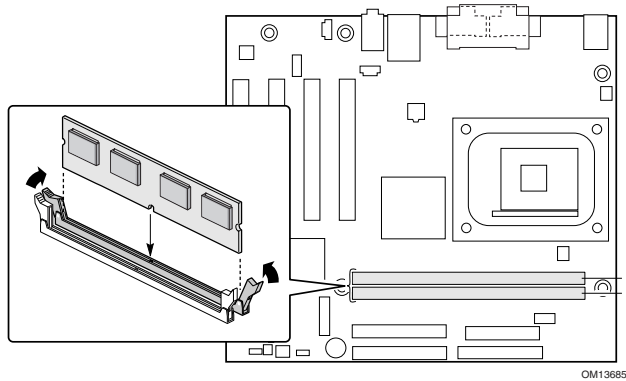
在向 PCI 插槽 1 中安装视频卡之前, 请先将内存安装到 DIMM 插座上, 以避免内存固定架妨碍您的操作。

在桌面主板 D845GLLY 和 D845GLAD 上有两个 DIMM 内存模块插座, 分别标示为 Bank 0 和 Bank 1, 如下图所示。如果只安装一条 DIMM 内存模块, 请将其安装在 Bank 0 中。

要安装 DIMM (双列直插式内存模块), 请按以下步骤操作:

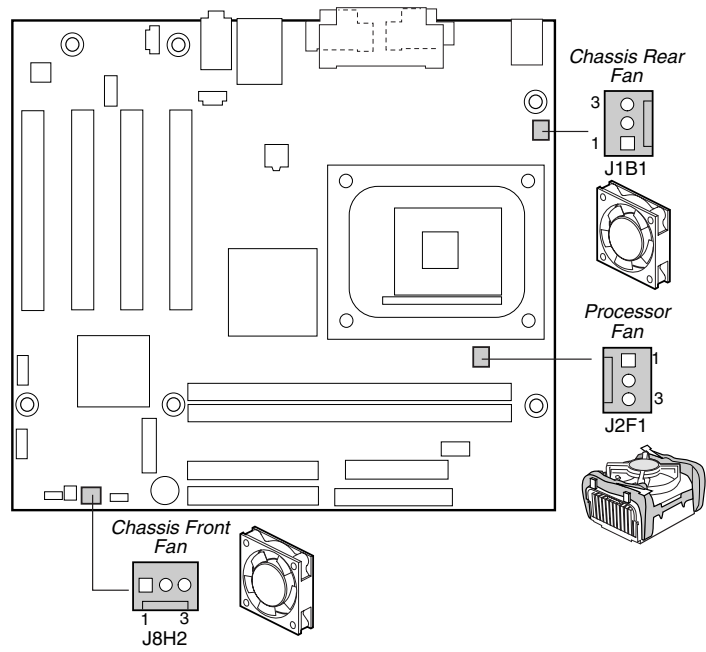
1. 请遵守“开始之前”中的注意事项 (参阅第 3 页)。
2. 若您打开和关闭 DIMM 卡固销子比较困难, 请从 PCI 插槽 1 中卸下 PCI 卡。
3. 将 DIMM 底边的小凹口与插座上的卡固销子对齐。
4. 插入 DIMM 期间, 按住 DIMM 的顶边向下推压, 直到卡固销子将其卡固到位。确保销子已牢牢夹紧。

下图显示的是安装 DDR SDRAM DIMM 内存模块的方法。



5 连接风扇

下图显示了风扇连接器的位置。将处理器风扇散热器电缆连接到主板上的处理器风扇连接器上。将机箱风扇电缆连接到母板的连接器上（如下图所示）。



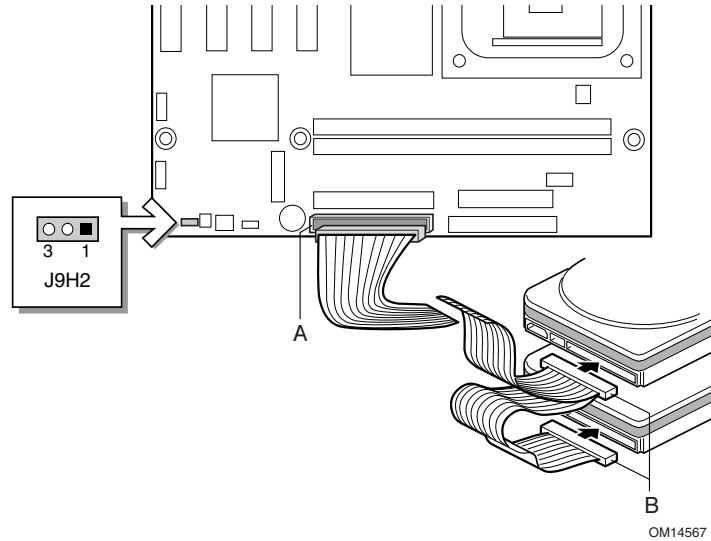
OM14566

6 安装 IDE 驱动器

Intel® 原装桌面主板包装盒内有一条 IDE 电缆。该电缆可将两个驱动器连接到桌面母板上。该电缆支持 ATA-66/100（40 触点 80 芯电缆）传输协议，并向后兼容使用更慢速 IDE 传输协议的驱动器。

如下图所示调整好电缆的方向，电缆才能正常工作。要使电缆正常工作：

1. 请遵守“开始之前”中的注意事项（参阅第 3 页）。
2. 将电缆带有单连接器的一端 (A) 连接到母板上。
3. 将电缆带有相邻双连接器的一端 (B) 连接到驱动器上。



使用 BIOS Setup（设置）程序

BIOS Setup（设置）程序可用于查看和更改计算机的 BIOS 设置。在开机自检 (POST) 内存测试开始之后、操作系统启动之前，按 <F2> 键可以进入 BIOS Setup（设置）程序。

设置 BIOS 配置跳线块



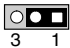
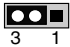

注意

更改跳线块设置之前，必须先关闭计算机电源，并从计算机上拔下电源电缆。若在计算机处于通电状态下调整跳线，可能导致计算机运行不稳定。

BIOS 配置跳线块决定 BIOS Setup（设置）程序的工作模式，且在 BIOS 更新失败时可进行 BIOS 恢复（有关跳线块位置的信息，请参见以上图示）。

下表列出了 BIOS Setup（设置）程序不同配置的跳线设置。

BIOS Setup（设置）程序配置跳线块 (J9H2) 的设置

| 跳线设置 | 模式 | 说明 |
|---|---------------|---|
|  | 正常（默认） 1-2 | BIOS 使用当前配置和口令来启动系统。 |
|  | 配置 2-3 | 开机自检 (POST) 运行后，BIOS 显示 Maintenance（维护）菜单。通过此菜单可清除口令。 |
|  | 恢复 （无插接） | 如果更新 BIOS 失败，BIOS 将从一张恢复软盘中恢复原来的 BIOS 设置数据。* |

*有关更新或恢复 BIOS 的说明，请参阅 Intel Express Installer（Intel 快速安装程序）光盘上的《Intel 桌面主板 D845GLLY 和 D845GLAD 产品指南》。

要查阅 BIOS Setup（设置）程序各项设置的完整列表，请参阅：

- Intel Express Installer（Intel 快速安装程序）光盘上的《Intel 桌面主板 D845GLLY 和 D845GLAD 产品指南》
- 或访问以下 Intel 万维网站点：
<http://support.intel.com/support/motherboards/desktop/>

